



**INSTA-CHAIN™**  
The AUTOMATIC ICECHAIN

**VSI - 011**

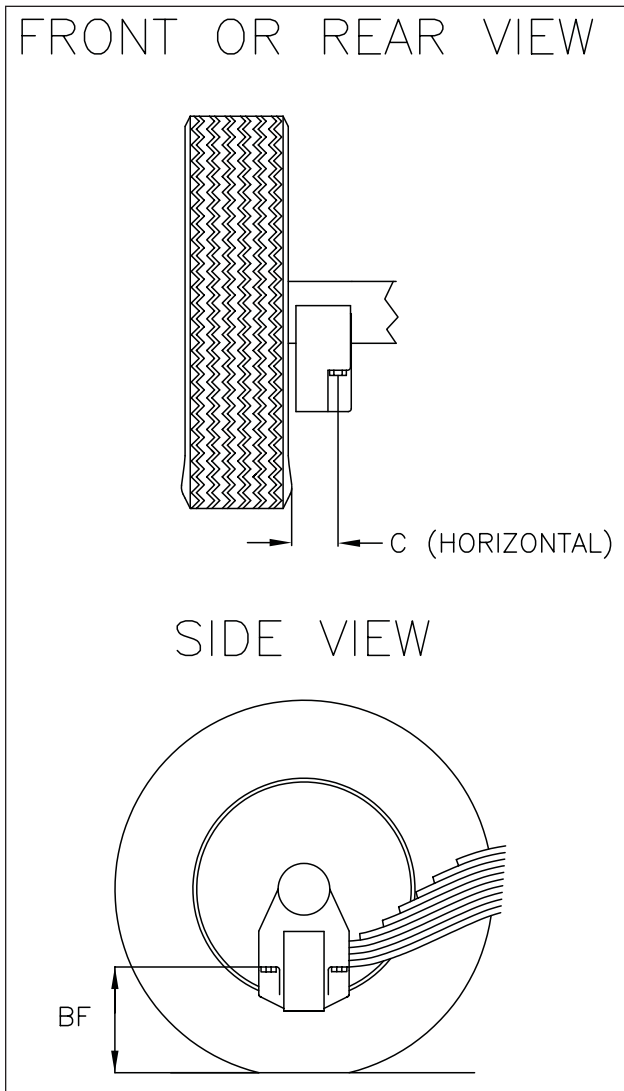
995 S 1950 W Ste. B, Springville, UT 84663 - 800-633-0699 - 801-489-9000 - (fax) 801-489-9797 - www.insta-chain.com - traction@insta-chain.com

**COPY AND FAX THIS FORM TO PLACE YOUR ORDER AT - (801) 489-9797**

**VEHICLE SUSPENSION INFORMATION FORM (VSI)**

DEALER: \_\_\_\_\_ PLEASE DESCRIBE ANYTHING UNUSUAL ABOUT  
 DLR. CONTACT: \_\_\_\_\_ YOUR SUSPENSION: (I.E. ANY OBSTRUCTION  
 CUSTOMER: \_\_\_\_\_ WITHIN 30 INCHES OF THE AXLE.)  
 CUST. CONTACT: \_\_\_\_\_  
 ADDRESS: \_\_\_\_\_  
 CITY/ STATE/ ZIP: \_\_\_\_\_  
 PHONE: \_\_\_\_\_ FAX: \_\_\_\_\_  
 EMAIL: \_\_\_\_\_ 6 CHAIN / 12 CHAIN P.O.# \_\_\_\_\_

PLEASE FILL OUT ALL INFORMATION ON FORM COMPLETELY OR WE MAY BE CALLING YOU TO GET IT DIRECTLY



VEHICLE MAKE: \_\_\_\_\_

VEHICLE MODEL: \_\_\_\_\_

VEHICLE YEAR: \_\_\_\_\_

TIRE SIZE: \_\_\_\_\_

ARE THERE ANY OBSTRUCTIONS WITHIN 34" OF THE FORWARD AXLE? YES / NO

DISTANCE FROM THE OBSTRUCTION TO THE CENTER OF THE AXLE: \_\_\_\_\_

\_\_\_\_\_ C: HORIZONTAL DISTANCE FROM THE CENTER OF THE SUSPENSION MOUNTING BOLT AND THE BULGE OF THE TIRE

\_\_\_\_\_ BF: VERTICAL DISTANCE FROM THE TOP OF THE MOUNTING BOLT, AND ANY WASHERS, TO THE GROUND