



INSTA-CHAIN™
The AUTOMATIC ICECHAIN

VSI - 006
FL Tufftrac / Volvo T-Ride

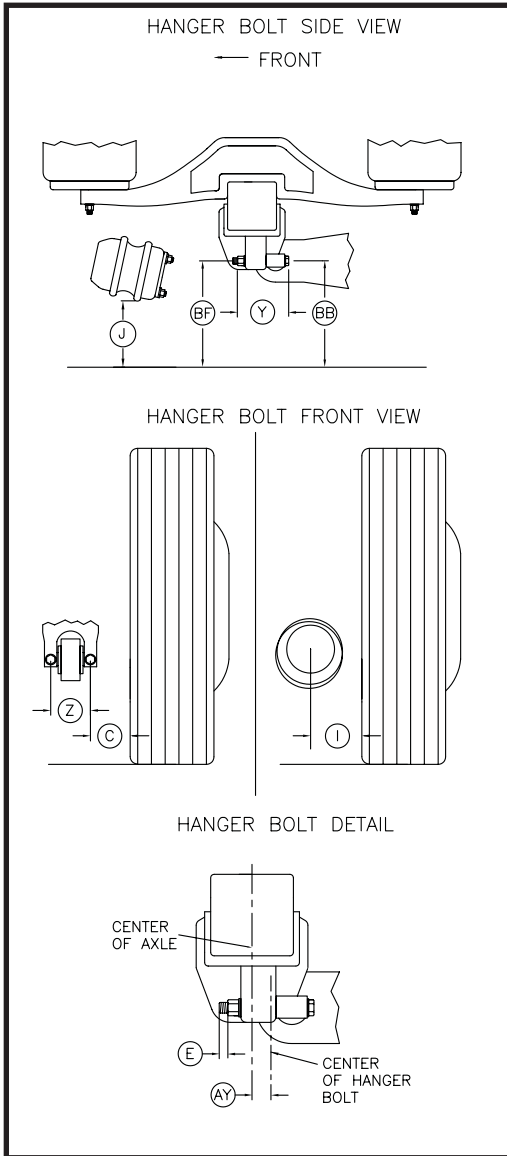
995 S 1950 W Ste. B, Springville, UT 84663 - 800-633-0699 - 801-489-9000 - (fax) 801-489-9797 - www.insta-chain.com - traction@insta-chain.com

COPY AND FAX THIS FORM TO PLACE YOUR ORDER AT - (801) 489-9797

VEHICLE SUSPENSION INFORMATION FORM (VSI)

DEALER: _____ **PLEASE DESCRIBE ANYTHING UNUSUAL ABOUT**
DLR. CONTACT: _____ **YOUR SUSPENSION: (I.E. ANY OBSTRUCTION**
CUSTOMER: _____ **WITHIN 30 INCHES OF THE AXLE.)**
CUST. CONTACT: _____
ADDRESS: _____
CITY/ STATE/ ZIP: _____
PHONE: _____ **FAX:** _____
EMAIL: _____ **6 CHAIN / 12 CHAIN P.O.#** _____

PLEASE FILL OUT ALL INFORMATION ON FORM COMPLETELY OR WE MAY BE CALLING YOU TO GET IT DIRECTLY



Model: _____ **Year:** _____ **Tire Size:** _____
Susp. Make: _____ **Susp. Model:** _____

_____ **BB - Vertical distance from center of Hanger Bolt to ground - towards FRONT of Vehicle**

_____ **BF - Vertical distance from center of Hanger Bolt to ground - towards REAR of Vehicle**

_____ **Y - Horizontal distance between Hanger Bolt head and Nut**

_____ **Z - Horizontal distance between centers of Hanger Bolt heads**

_____ **C - Horizontal distance between centers of Hanger Bolt closest to tire and bulge of tire**

_____ **E - Remaining thread behind Hanger Bolt Nut**

YES / NO Is the center of the Hanger Bolt in line with the center of the axle?

_____ **J - Lowest part of the Air Brake Can Assembly to the ground**

_____ **I - Sidewall of tire to the center of Brake Can**

_____ **Shocks Behind Axle?**

Brakes IN FRONT / BEHIND Axle?

Measurements from FRONT or REAR Axle?