



INSTA-CHAIN™
The AUTOMATIC ICECHAIN

VSI – 004
Ridewell 202 / 208

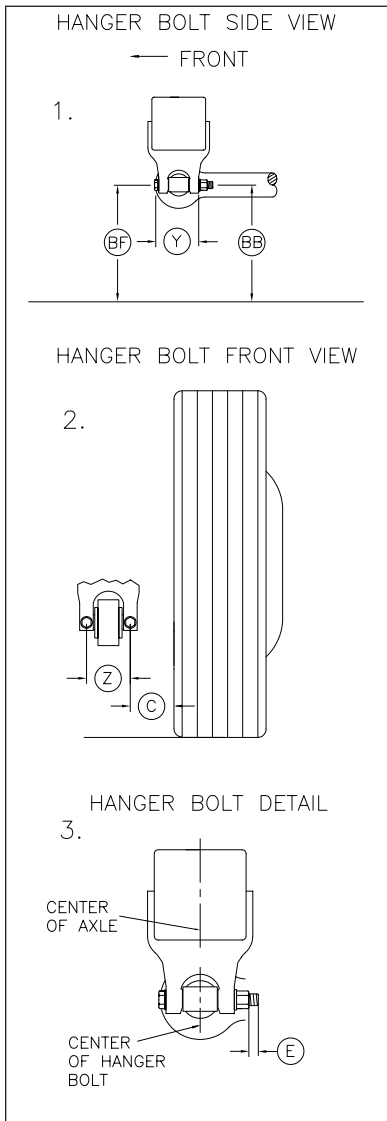
995 S 1950 W Ste. B, Springville, UT 84663 - 800-633-0699 - 801-489-9000 - (fax) 801-489-9797 - www.insta-chain.com - traction@insta-chain.com

COPY AND FAX THIS FORM TO PLACE YOUR ORDER AT - (801) 489-9797

VEHICLE SUSPENSION INFORMATION FORM (VSI)

DEALER: _____ **PLEASE DESCRIBE ANYTHING UNUSUAL ABOUT**
DLR. CONTACT: _____ **YOUR SUSPENSION: (I.E. ANY OBSTRUCTION**
CUSTOMER: _____ **WITHIN 30 INCHES OF THE AXLE.)**
CUST. CONTACT: _____
ADDRESS: _____
CITY/ STATE/ ZIP: _____
PHONE: _____ **FAX:** _____
EMAIL: _____ **6 CHAIN / 12 CHAIN P.O.#** _____

PLEASE FILL OUT ALL INFORMATION ON FORM COMPLETELY OR WE MAY BE CALLING YOU TO GET IT DIRECTLY



*Truck Model: _____ *Year: _____

*Tire Size: _____ *Axle Size: _____

*Suspension Model: _____

*Do you have BAR-PIN (pictured) or THRU-PIN Mount Suspension?

WHETHER YOU HAVE A BAR-PIN OR A THRU-PIN MOUNT SUSPENSION YOU WILL NEED TO FILL OUT FORM COMPLETELY.

A BAR-PIN MOUNT SUSPENSION (PICTURED) HAS TWO BOLTS RUNNING ALONG SIDE THE KNUCKLE OF THE SUSPENSION. A THRU-PIN MOUNT SUSPENSION (NOT PICTURED) DOES NOT HAVE THESE BOLTS, IT ONLY HAS A PIN THRU THE SUSPENSION THAT IS INCLOSED INSIDE THE KNUCKLE.

- _____ BF Vertical distance from CENTER of the FRONT of the Hanger Bolt to the ground
- _____ BB Vertical distance from CENTER of the REAR of the Hanger Bolt to the ground
- _____ Y Horizontal distance BETWEEN the Head of the Hanger Bolt and the Nut
- _____ Length of Hanger Bolt
- _____ Z Horizontal distance between the centers of the Hanger Bolt Heads
- _____ C Horizontal distance between the center of the outside Hanger Bolt Head and the Bulge of the Tire.
- _____ E Remaining Thread Behind the Hanger Bolt Nut