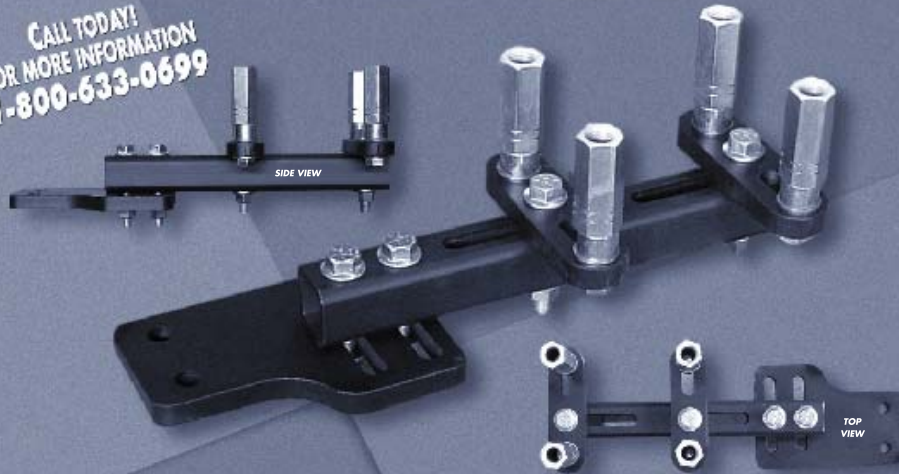


A UNIVERSAL MOUNTING BRACKET FOR THE NEW MILLENNIUM

FROM THE INNOVATORS IN AUTOMATIC ICECHAINS

INSTA-CHAIN™
The AUTOMATIC ICECHAIN

CALL TODAY!
FOR MORE INFORMATION
1-800-633-0699



THE MOUNTING BRACKET YOU'VE BEEN WAITING FOR...

BENEFITS

- ▶ FULLY ADJUSTABLE
- ▶ KEEP CHAIN UNITS IN STOCK FOR IMPULSE BUYERS
- ▶ NO MEASUREMENTS REQUIRED
- ▶ ELIMINATES MEASURING MISTAKES
- ▶ SAVES TIME AND MONEY
- ▶ FITS MOST SPRING AND AIR RIDE SUSPENSIONS
- ▶ STANDARD WITH MOST INSTA-CHAIN UNITS

Other Unique Innovations by INSTA-CHAIN™

- ▶ Grease Zerk in Chain Wheel
- ▶ Dust Boot in Air Can
- ▶ Replaceable Chain Links

PATENT PENDING

(801) 489-9000 • FAX (801) 489-9797 • 995 SOUTH 1950 WEST, SUITE B • SPRINGVILLE, UTAH 84663 • WWW.INSTA-CHAIN.COM